

# *Enabling High-speed Serial Connectivity*

For all your Timing, Switching,  
Connectivity & Signal Integrity Needs

**Medical Market  
Segment**



# Pericom Overview

## → Profitable semiconductor company focused on Timing, Connectivity, and Signal Integrity solutions for high speed signals

- Founded in 1990, public since 1997 (NASDAQ: PSEM)
- Qualified Vendor to Tier 1 companies Worldwide
- Complete 'market segment' solutions

## → Global Presence

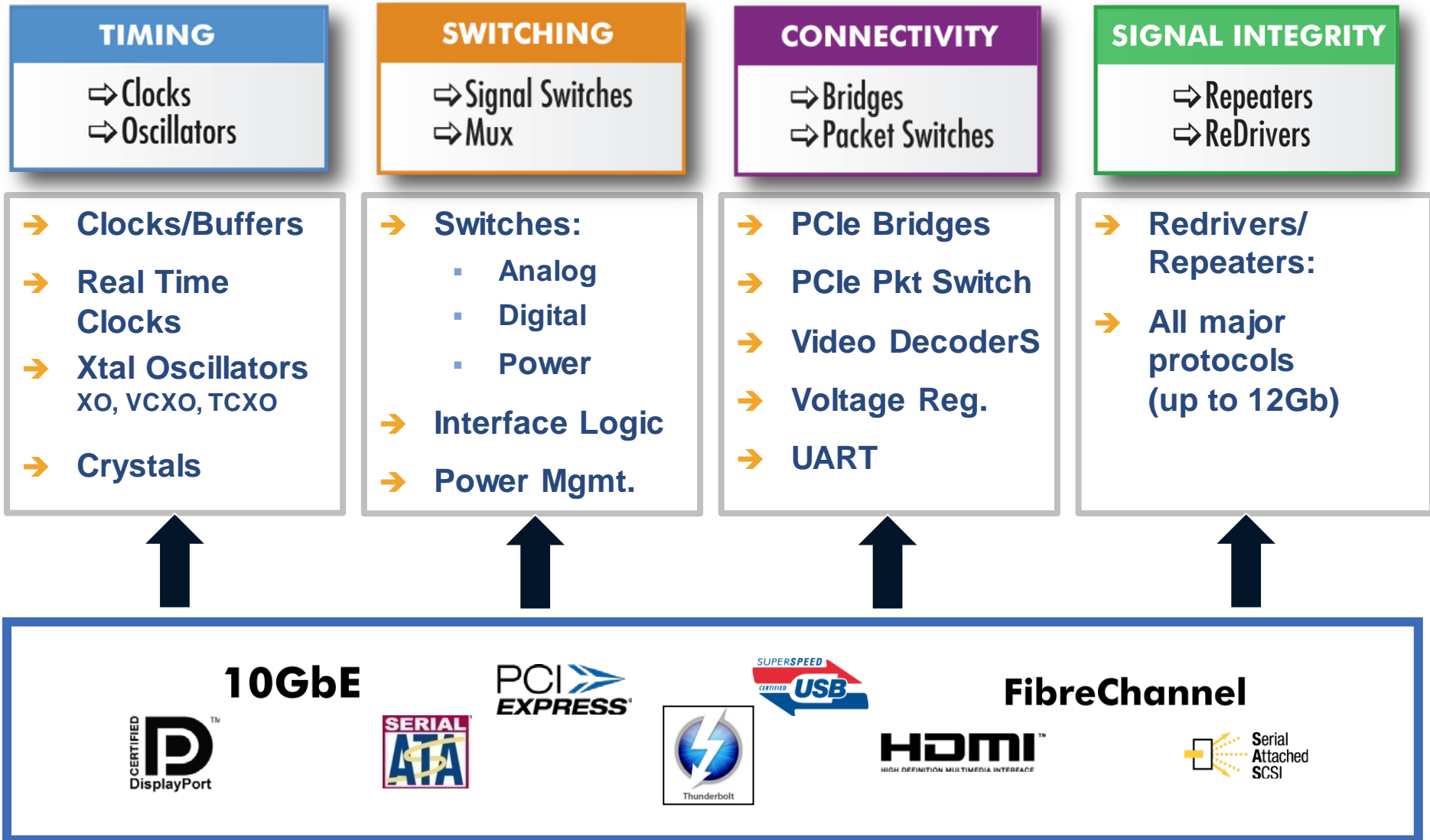
- Headquarters in Milpitas, California
- Customer technical support and sales offices Worldwide
- Design centers in US, China, Taiwan, Hong Kong

## → Growing our Investment

- Acquired SaRonix (2003) and eCera (2005) quartz based products and manufacturing
- Adds quartz based Timing technology to our high speed serial protocol solutions



# Diversified Products for Growth Markets



# Pericom Solutions for Medical



**Solutions for Clinical Medical/ Diagnostic Equipment**

# Pericom Solutions for Wearable/Portable Medical Equipment

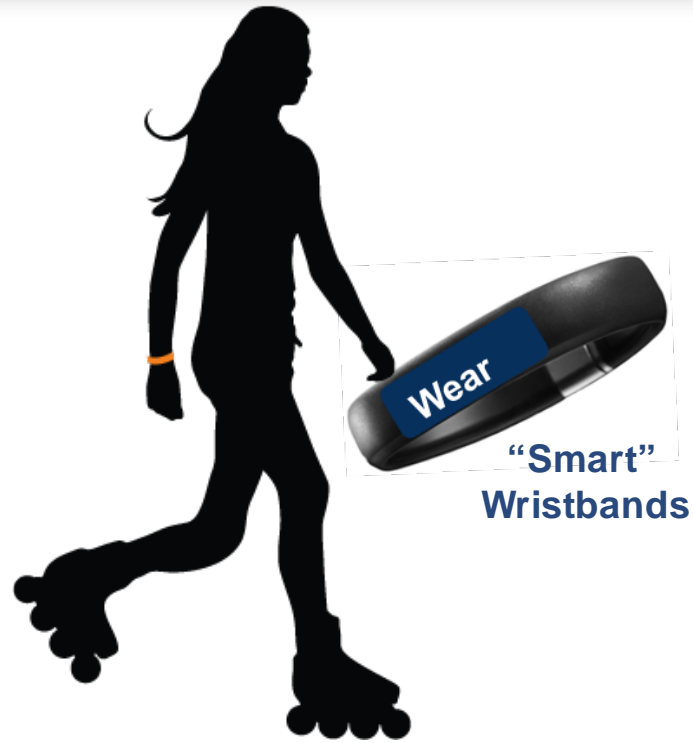
Portable Blood Pressure Monitor



TCXO	PCIe Switch	Timing	Crystal Oscillators/XO
Xtal/ Crystals	USB Switch	USB ReDriver	Power



Blood Glucose Monitor

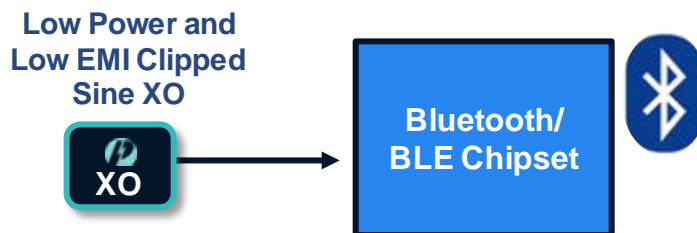


"Smart" Wristbands



# Timing

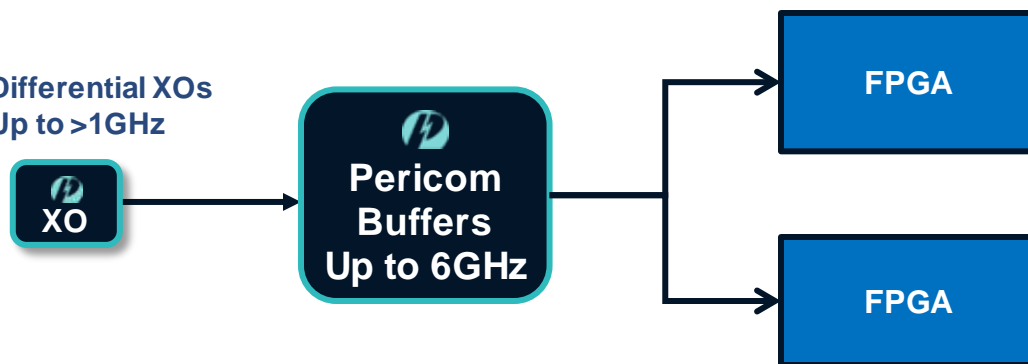
- Crystal used in electric toothbrush, blood pressure monitor
- Crystal Oscillator powering Bluetooth devices



- High frequency oscillators and buffers powering FPGAs in ultrasound machines

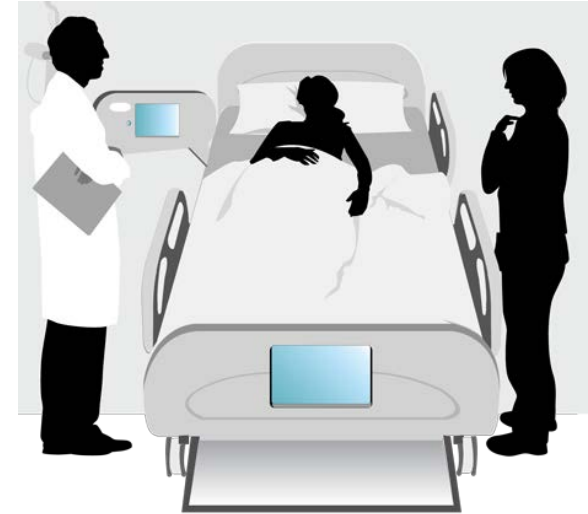
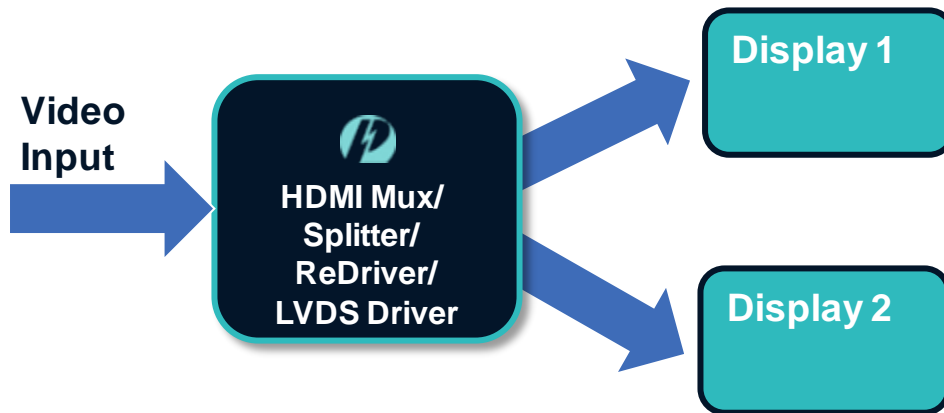


Differential XOs  
Up to >1GHz



# Design Expansion

- Enabling multi display ecosystems with Pericom's LVDS or HDMI switches, splitters and ReDrivers



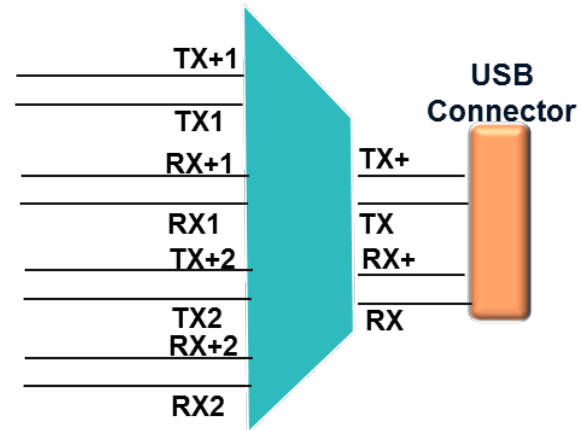
- Enabling bridging to older design boards via Pericom's bridges



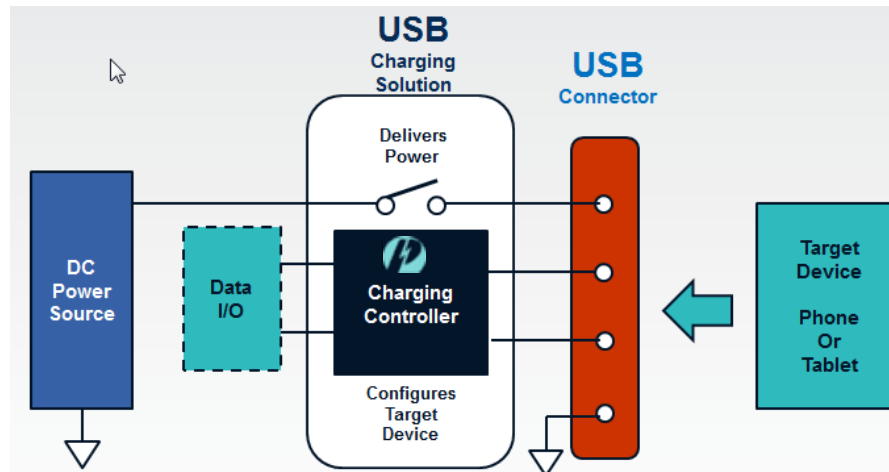
- PCIe slot expansion for modular designs

# Connectivity

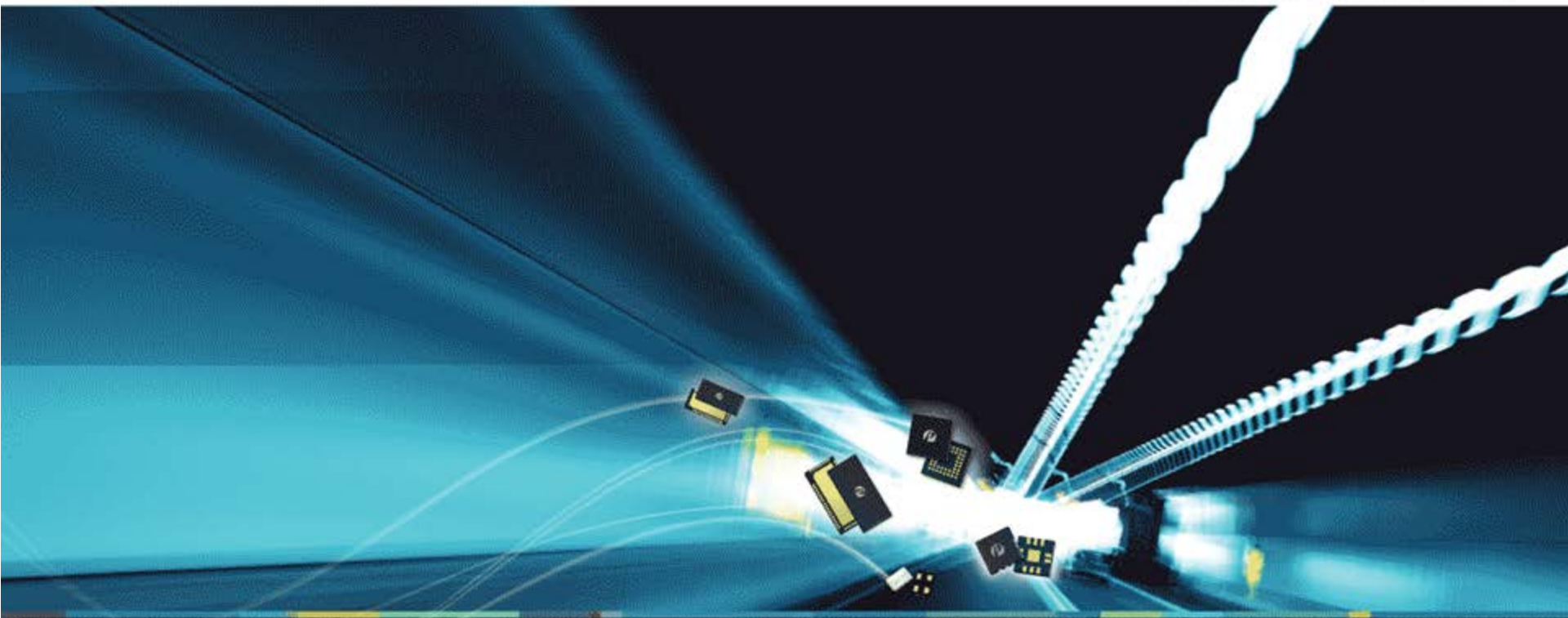
- Enabling latest connectivity with USB3.0 and USB3.1, Type C devices



- Maximizing your host / device charging capabilities with USB Fast Charging solution







**End of Presentation**  
**Thank You**